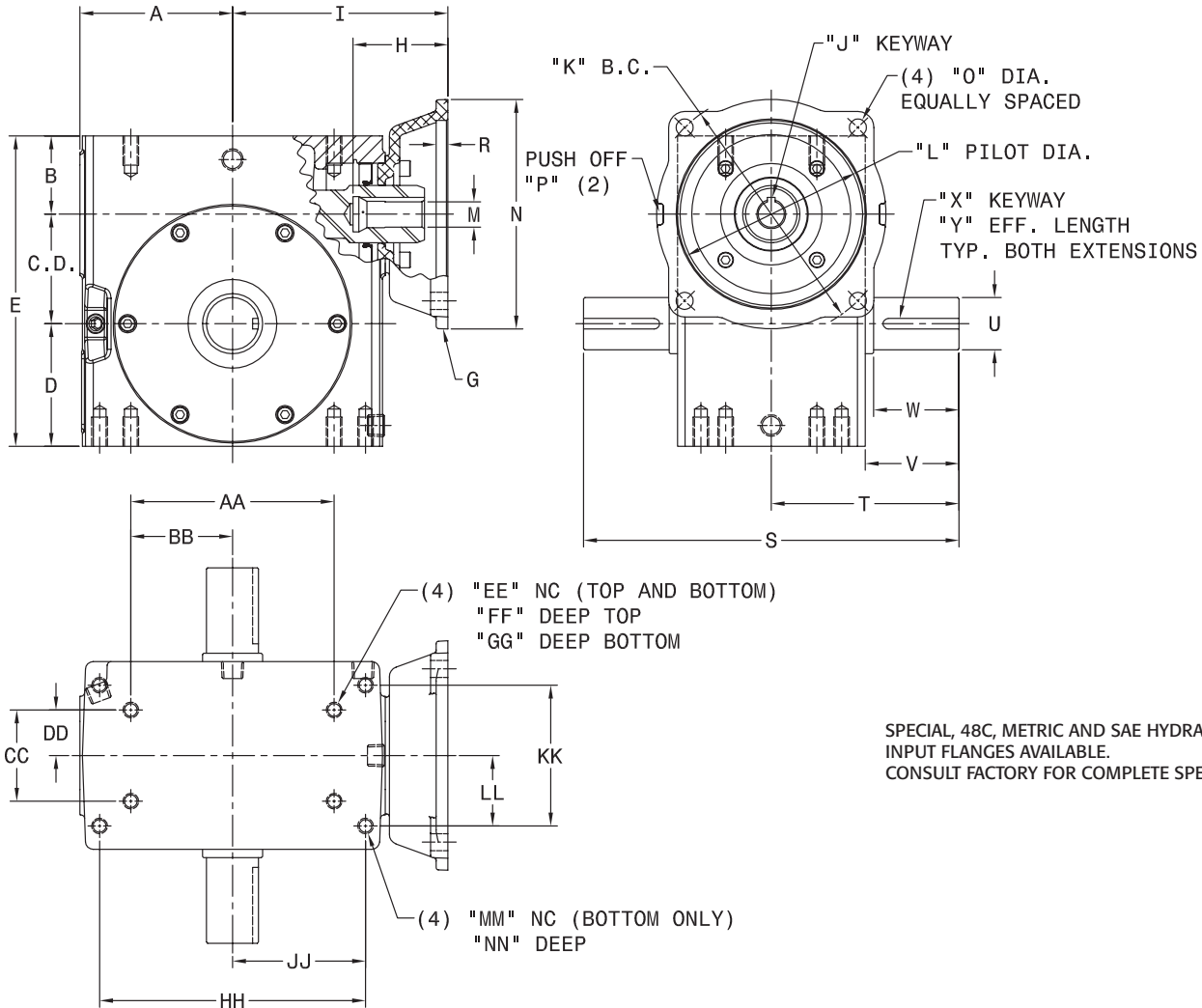




MODELS

134, 184, 214, 244, 264, 324, 384, 454, 524

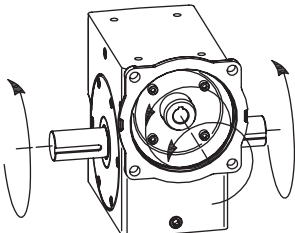


SPECIAL, 48C, METRIC AND SAE HYDRAULIC INPUT FLANGES AVAILABLE. CONSULT FACTORY FOR COMPLETE SPECIFICATIONS.

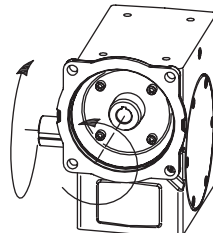
FOR LUBRICATION AND INSTALLATION INSTRUCTIONS - REFER TO SECTION R

STANDARD STYLES AVAILABLE

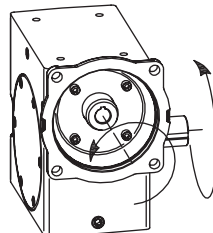
DIMENSIONS SHOWN ARE FOR REFERENCE ONLY. DOWNLOAD AVAILABLE CAD MODELS AT: WWW.HUBCITYINC.COM



STYLE "A"



STYLE "B"



STYLE "C"

CONSULT FACTORY FOR VERTICAL SHAFT LUBRICATION RECOMMENDATIONS
 INPUT SHAFT CAN BE ROTATED IN EITHER DIRECTION



MODELS

134, 184, 214, 244, 264, 324, 384, 454, 524

B

SINGLE REDUCTION

| MODEL | C.D. | A | B | D | E | G | H | I | J | K | L | M | N | O | P | R | | | | |
|-------|-------|------|-------|-------|--------|-------|------|------|-------------|-------------|-------------|-------|------|-------|-------|-----|-----------|-------|-------------|-------|
| 134 | 1.334 | 2.28 | 1.186 | 1.562 | 4.082 | 56C | 2.27 | 3.63 | 3/16 X 3/32 | 5.875 | 4.501/4.503 | 0.625 | 5.50 | 13/32 | SLOTS | .19 | | | | |
| 184 | 1.751 | 2.65 | 1.374 | 1.875 | 5.000 | 56C | 2.27 | 4.00 | 3/16 X 3/32 | 5.875 | 4.501/4.503 | 0.625 | 5.50 | 13/32 | SLOTS | .19 | | | | |
| 214 | 2.064 | 3.00 | 1.500 | 2.437 | 6.000 | 56C | 2.27 | 4.50 | 3/16 X 3/32 | 5.875 | 4.501/4.503 | 0.625 | 5.50 | 13/32 | SLOTS | .19 | | | | |
| | | | | | | 143TC | 2.38 | | | | | 0.875 | | | | | | | | |
| 244 | 2.376 | 3.38 | 2.062 | 2.500 | 6.938 | 56C | 2.27 | 4.88 | 3/16 X 3/32 | 5.875 | 4.501/4.503 | 0.625 | 5.50 | 13/32 | SLOTS | .19 | | | | |
| | | | | | | 143TC | 2.38 | | | | | 0.875 | | | | | | | | |
| | | | | | | 182TC | 3.19 | | | | | 5.72 | | | | | 1/4 X 1/8 | 7.250 | 8.501/8.504 | 1.125 |
| 264 | 2.626 | 3.66 | 1.874 | 2.938 | 7.438 | 56C | 2.27 | 5.16 | 3/16 X 3/32 | 5.875 | 4.501/4.503 | 0.625 | 5.50 | 13/32 | SLOTS | .19 | | | | |
| | | | | | | 143TC | 2.38 | | | | | 0.875 | | | | | | | | |
| | | | | | | 182TC | 3.19 | | | | | 6.00 | | | | | 1/4 X 1/8 | 7.250 | 8.501/8.504 | 1.125 |
| 324 | 3.251 | 4.40 | 2.124 | 3.250 | 8.625 | 56C | 2.27 | 6.00 | 3/16 X 3/32 | 5.875 | 4.501/4.503 | 0.625 | 5.50 | 13/32 | SLOTS | .19 | | | | |
| | | | | | | 143TC | 2.38 | | | | | 0.875 | | | | | | | | |
| | | | | | | 182TC | 3.19 | | | | | 6.38 | | | | | 1/4 X 1/8 | 7.250 | 8.501/8.504 | 1.125 |
| 384 | 3.751 | 4.90 | 2.374 | 3.937 | 10.062 | 56C | 2.27 | 6.50 | 3/16 X 3/32 | 5.875 | 4.501/4.503 | 0.625 | 5.50 | 13/32 | SLOTS | .19 | | | | |
| | | | | | | 143TC | 2.38 | | | | | 0.875 | | | | | | | | |
| | | | | | | 182TC | 3.19 | | | | | 6.88 | | | | | 1/4 X 1/8 | 7.250 | 8.501/8.504 | 1.125 |
| 454 | 4.501 | 5.67 | 2.499 | 4.625 | 11.625 | 56C | 2.25 | 6.75 | 3/16 X 3/32 | 5.875 | 4.501/4.503 | 0.625 | 6.50 | 13/32 | SLOTS | .44 | | | | |
| | | | | | | 143TC | 2.25 | | | | | 0.875 | | | | | | | | |
| | | | | | | 182TC | 3.19 | | 7.250 | 1/4 X 1/8 | 8.501/8.504 | 1.125 | | | | | 9.00 | 17/32 | HOLES | .44 |
| | | | | | | 213TC | 3.50 | | | 5/16 X 5/32 | | 1.375 | | | | | | | | |
| 524* | 5.168 | 6.42 | 2.624 | 5.375 | 13.167 | 182TC | 3.19 | 7.50 | 1/4 X 1/8 | 7.250 | 8.501/8.504 | 1.125 | 9.00 | 17/32 | HOLES | .44 | | | | |
| | | | | | | 213TC | 3.50 | | 5/16 X 5/32 | | | 1.375 | | | | | | | | |

* 56C & 143TC FLANGES AVAILABLE AS MODIFIED STANDARDS

| MODEL | S | T | U | V | W | X | Y | AA | BB | CC | DD |
|--------|-------|------|-------------|------|------|-------------|------|-------|-------|-------|-------|
| 134 | 6.50 | 3.25 | .625/.624 | 1.69 | N/A | 3/16 X 3/32 | 1.38 | 2.250 | 1.125 | 1.625 | .812 |
| 184 | 7.00 | 3.50 | .750/.749 | 1.78 | 1.54 | 3/16 X 3/32 | 1.41 | 3.125 | 1.562 | 1.625 | .812 |
| 214 | 8.50 | 4.25 | .875/.874 | 2.19 | 1.95 | 3/16 X 3/32 | 1.83 | 4.000 | 2.000 | 2.000 | 1.000 |
| 244 | 9.00 | 4.50 | 1.125/1.124 | 2.31 | 2.06 | 1/4 X 1/8 | 1.74 | 5.000 | 2.500 | 2.875 | 1.438 |
| 264 | 9.00 | 4.50 | 1.250/1.249 | 2.25 | N/A | 1/4 X 1/8 | 1.85 | 4.875 | 2.437 | 2.688 | 1.344 |
| 324 | 10.88 | 5.44 | 1.375/1.374 | 2.84 | N/A | 5/16 X 5/32 | 2.31 | 6.250 | 3.125 | 2.750 | 1.375 |
| 384 | 13.38 | 6.69 | 1.500/1.499 | 3.88 | N/A | 3/8 X 3/16 | 3.16 | 6.875 | 3.438 | 3.000 | 1.500 |
| 454** | 14.50 | 7.25 | 1.625/1.624 | 4.18 | 3.90 | 3/8 X 3/16 | 3.28 | 8.125 | 4.063 | 3.250 | 1.625 |
| 524*** | 15.62 | 7.81 | 1.750/1.749 | 4.47 | 4.17 | 3/8 X 3/16 | 3.50 | 9.500 | 4.750 | 3.750 | 1.875 |

** ALSO AVAILABLE WITH 1.750/1.749 (M) DIAMETER OUTPUT SHAFT. CONSULT FACTORY.

*** ALSO AVAILABLE WITH 2.000/1.999 (M) DIAMETER OUTPUT SHAFT. CONSULT FACTORY.

| MODEL | EE | FF | GG | HH | JJ | KK | LL | MM | NN | WT. LBS. |
|-------|---------|------|------|-------|-------|-------|-------|---------|------|----------|
| 134 | 1/4 UNC | .50 | .50 | 3.250 | 1.625 | 2.000 | 1.000 | 5/16 NC | .75 | 11 |
| 184 | 1/4 UNC | .50 | .50 | 4.188 | 2.094 | 2.750 | 1.375 | 5/16 NC | .75 | 16 |
| 214 | 3/8 UNC | .50 | .75 | 5.000 | 2.500 | 2.875 | 1.438 | 3/8 NC | .70 | 25 |
| 244 | 3/8 UNC | .70 | .70 | N/A | M/A | N/A | N/A | N/A | N/A | 33 |
| 264 | 3/8 UNC | .70 | .70 | 6.375 | 3.188 | 3.375 | 1.688 | 3/8 NC | .70 | 38 |
| 324 | 1/2 UNC | .75 | .90 | 7.500 | 3.750 | 4.000 | 2.000 | 7/16 NC | .88 | 64 |
| 384 | 1/2 UNC | .94 | 1.00 | 8.500 | 4.250 | 4.750 | 2.375 | 1/2 NC | 1.00 | 90 |
| 454 | 5/8 UNC | .88 | 1.13 | N/A | M/A | N/A | N/A | N/A | N/A | 112 |
| 524 | 5/8 UNC | 1.00 | 1.25 | N/A | M/A | N/A | N/A | N/A | N/A | 138 |